

4

3

2

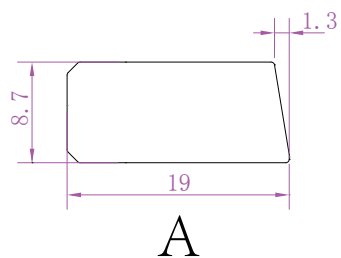
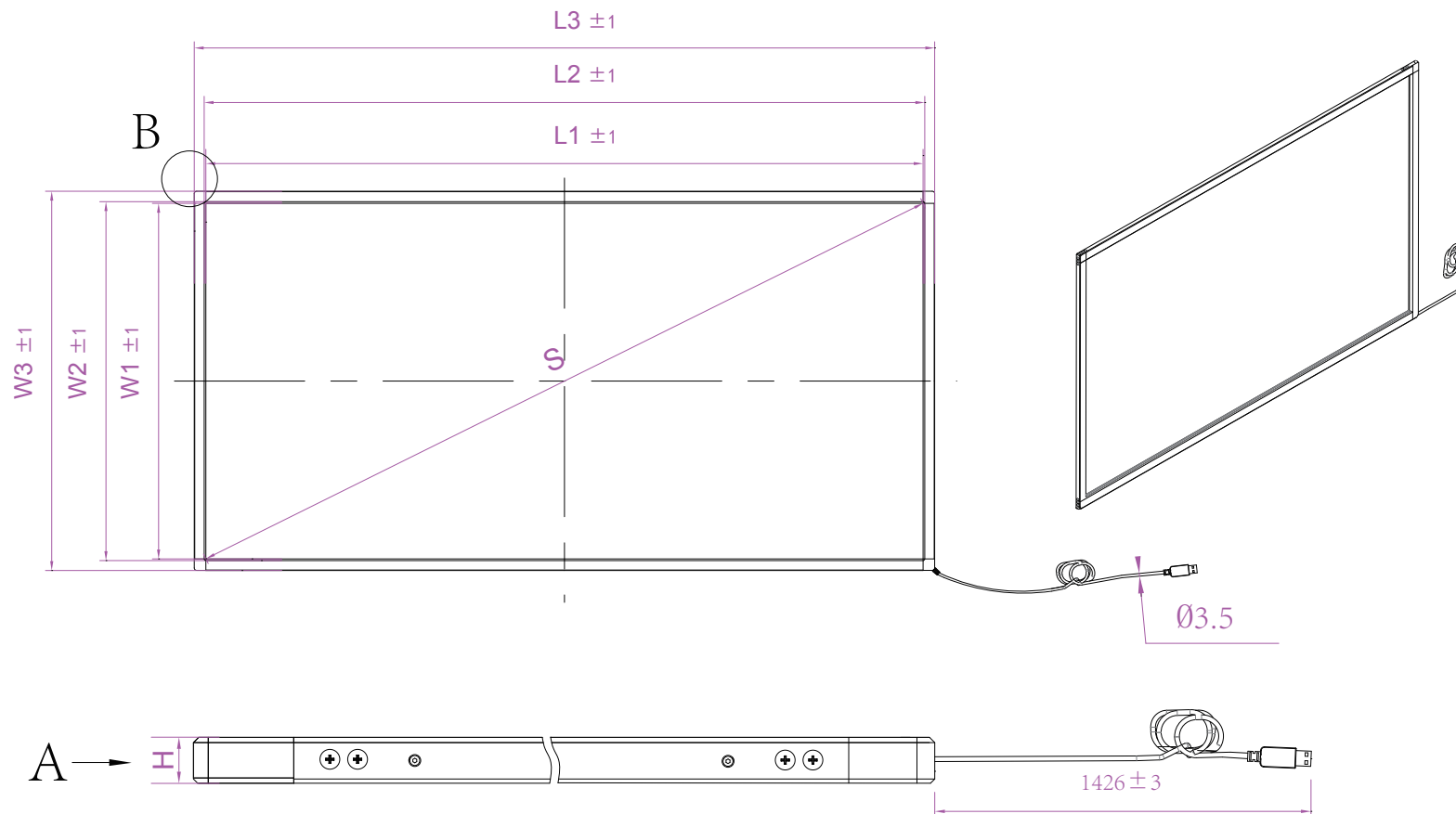
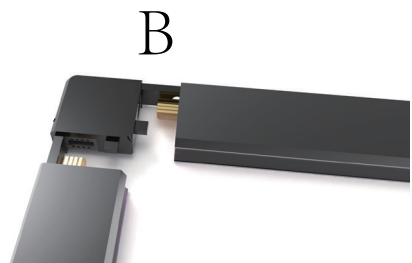
1

A

B

C

D



S(Inch/mm)	24.17"/613.94
W1	$307.3 \pm 1$
W2	$309.9 \pm 1$
W3	$345.3 \pm 1$
L1	$531.5 \pm 1$
L2	$534.1 \pm 1$
L3	$569.5 \pm 1$
H	$8.7 \pm 0.2$



Anti-Sunlight, No Blind Zone For Any Size



X Slim Series							
Material:	aluminum	Unit:	mm	Date:		Rev:	1.0
Draft by:		Approved by:					

4

3

2

1